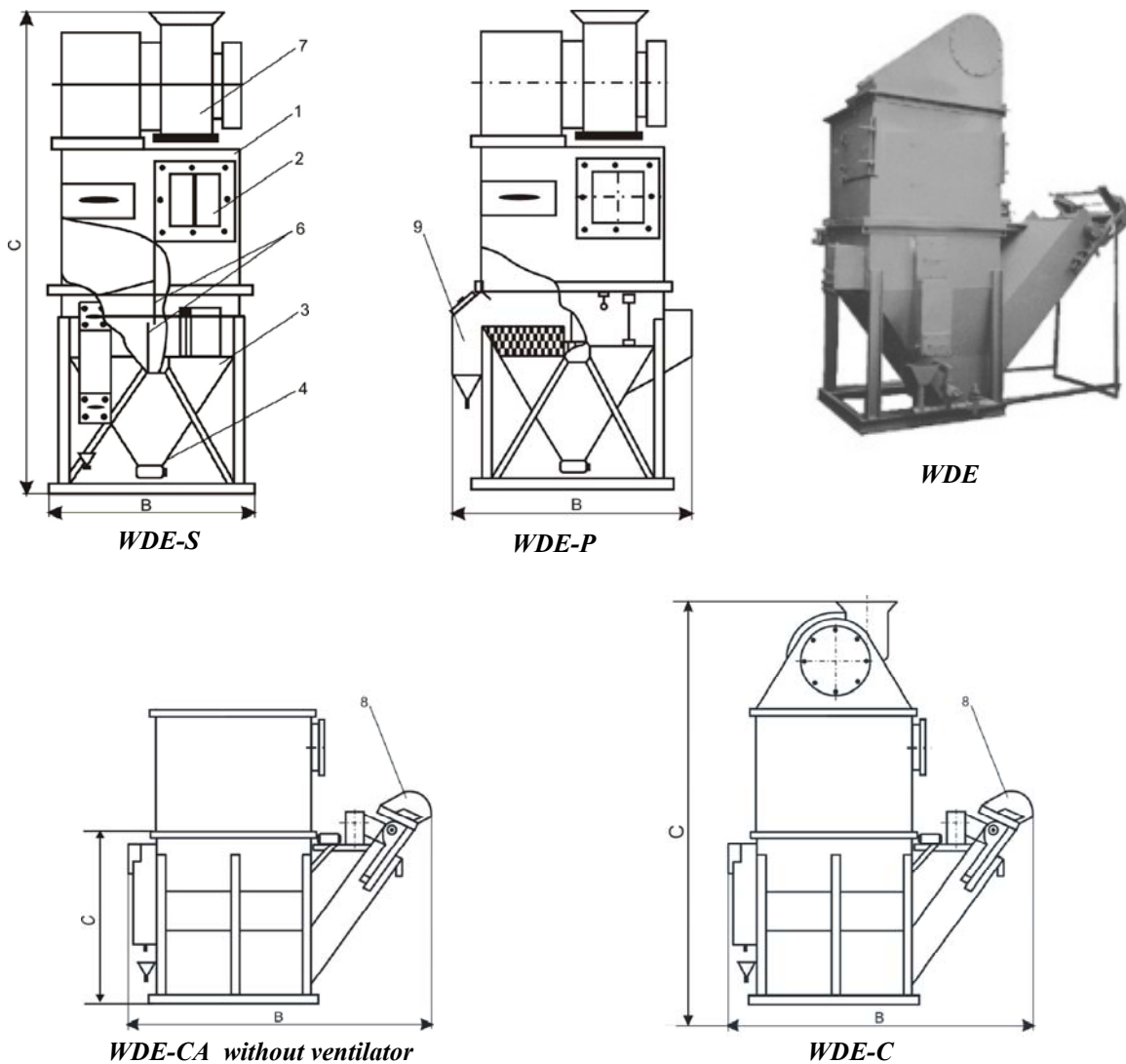


Wet dust eliminators Roto-Clone of type WDE

Wet dust eliminators of type WDE (Roto –Clone) are used for cleaning of air, removed by exhaust ventilating systems, from all kinds of dust, including explosive and inflammable, polymeric, fibrous, etc. It is not recommended to use wet de-dusters in cases when the caught dust is able to cast and crystallise in water, forming strong sediments. At initial dust concentration greater than 10 g/m^3 it is recommended to use wet eliminators as the second step after simple dry eliminators.



WDE-S - are equipped with the device 4 for a mud discharge;
WDE-C- are equipped with the scraper mechanism 8 for mud removal;
WDE-P - are equipped with side pockets 9 for a mud discharge;
WDE-CA - are equipped with the scraper mechanism for mud removal and are intended for catching aluminium and zinc dust.

GENERAL DESIGN AND WORK

Dust removers are made of metal body consisting of bottom 3 and top 1 section. In the bottom section there are two partition walls 6. The bottom section 3 is partially filled with water. Dusty air gets into dust remover through the upstream fairing 2 due to the under pressure created by the fan 7; contacts with water in the channel formed by partition walls 6, and is cleared of dust. Mud removal is carried out in WDE-S by dumping through a shutter 4; in WDE-C and WDC-CA- by a scraper mechanism 8; in WDE-P - the caught floating dust is dumped into pocket 9.

The eliminators are equipped with gauge - relays of a level, which cause emergency stop of eliminator fans when water level in WDE is below the minimal.

CHARACTERISTICS

Wet dust eliminator TYPE	Air flow, m ³ /h	Pressure drop, Pa	Efficiency, %	Dimensions, mm			Weight without water, kg
				B	A	C	
WDE-S3	3	1000-2000	95-99	1278	1195	3226	610
WDE-S5	5			1224	1590	3500	900
WDE-S10	10			1514	2390	4145	1750
WDE-S20	20			2350	2304	4424	2400
WDE-S40	40			2314	4385	5010	4720
WDE-P5	5	1000-2000	95-99	1610	1420	3550	770
WDE-P10	10			1950	2360	4140	2310
WDE-P20	20			2810	2360	4575	3108
WDE-P40	40			2900	4520	5010	5320
WDE-C5	5	1000-2000	95-99	3040	1536	3600	1628
WDE-C10	10			3840	1414	4000	2335
WDE-C20	20			3840	2114	4425	3560
WDE-C40	40			5930	2204	4900	5120
WDE-CA5**	5	1000-2000	80-95	2300	1300	2315	835
WDE-CA10**	10			3660	2100	2805	1100

Overall dimensions of eliminators WDC-CA are given without the fan which is installed separately.

Height of eliminators such as WDE-S, WDE-P, WDE-C is given for the version with accommodation of fans on WDE cover.

Eliminators can be made in corrosion-proof of stainless steel by request.